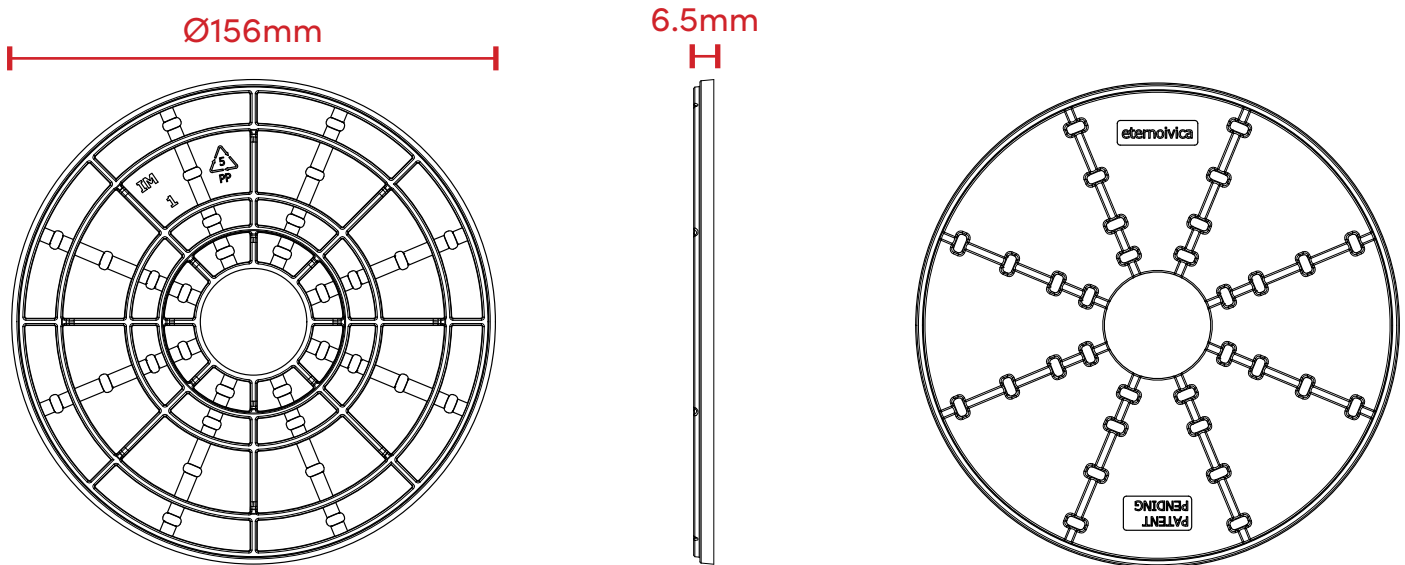


# DATA SHEET

## PEDESTAL EXTENSION

### STAR.T



#### TECHNICAL SPECIFICATION:

Supply and installation of extensions for "Pedestal STAR.T" type support. STAR.T extensions are positioned under the Star-T support. The addition of each extension raises the Star.T support by 5mm. It is possible to overlap until N°3 extensions. This product allows to reach heights ranging from 20mm up to 30mm.

#### CHARACTERISTICS:

Extension for Star.T supports

#### RAW MATERIAL:

Polypropylene

#### ENVIRONMENTAL IMPACT:

recyclable material - not dangerous

#### FIELD OF USE (ASSOCIATED SUPPORT):

Star.T Pedestal supports

### GENERAL CHARACTERISTICS & PROPERTIES

	UNIT	VALUE	TOLERANCE +/-
DIAMETER	mm	156	+/- 1.0
HEIGHT	mm	6.5	+/- 0.1
SHORE	Kg	0.05	+/- 0.001
WEIGHT	Shore d	70	+/- 3
FIRE REACTION*	UNI-EN 13501-1:2009	class E	
LOW T(°C) REACTION	°C	-40	

\*Tests made by Giordano S.p.A. Institute of Bellaria-Igea Marina (RN)-Italy

### EXTENSION COMPOSITIONS WITH STAR.T SUPPORT

STAR.T EXTENSION-E003100025	HEIGHT	PZ PER BOX
STAR.T + 1 Extension STAR.T	15 - 20mm	200
STAR.T + 2 Extension STAR.T	20 - 25mm	200
STAR.T + 3 Extension STAR.T	25 - 30mm	200

The packaging of the supports consists of cardboard boxes. The final packaging of the pallets is made with the wrapping of a polyethylene film. Indoor storage, protected from precipitation, is recommended.

**INSTALLATION METHOD:** The product is laid dry, without the need for adhesives or other types of fixings.

The above data are relevant to current production and may be changed or updated by Eterno Ivica at any time without notice. Given the many possible uses and the possible interference of external elements, we do not assume responsibility for the results. The buyer is required to establish under their own responsibility the suitability of the product for the intended use. This document is property of Eterno Ivica. All rights reserved.